

R4-10 Rotary Latch

Integrated cable mounting bracket · Stainless steel
Small · Concealed · Single stage



Material

- Steel, zinc plated or stainless steel

Product Performance

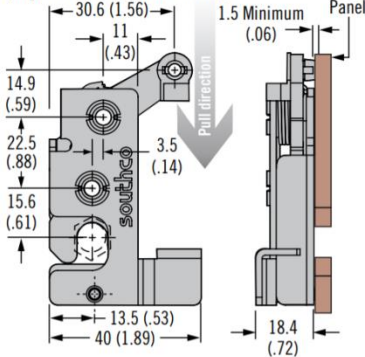
- Average ultimate load: 3,600 N

Accessories

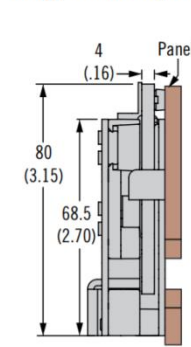
- Striker bolt (sold separately)
- Cables and retainer clips (sold separately)

Single Stage - Bottom

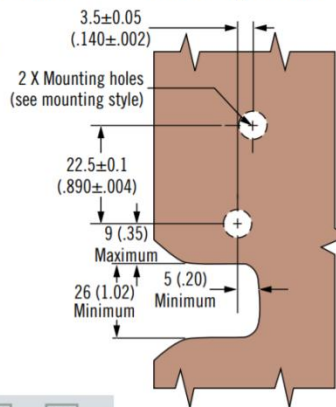
(Right hand actuation shown)



Integrated Bumper Version



Panel Preparation



R4 - 10 - S I - 5 0 B - M

S Stage & Actuation

- 1 Single stage, right hand
- 2 Single stage, left hand
- 3 Two stage, right hand
- 4 Two stage, left hand

I Mounting Style

- 0 Ø7.2 (.283) thru
- 1 1/4-20 thread
- 2 M6 x 1 thread

B Base Style

- 2 Standard
- 6 Integrated bumper version

M Material

- 10 Steel
- 20 Stainless steel

R4 Striker Bolt

Small · Installation

Features

- Striker bolt for R4-10 series rotary latch

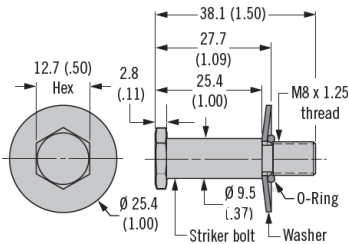
Material

- Steel, zinc plated or stainless steel



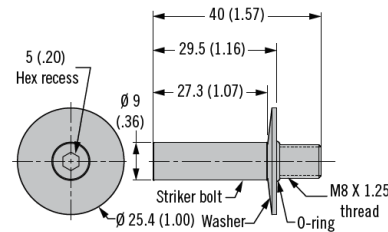
Striker Bolt Assembly - Standard

(sold separately)

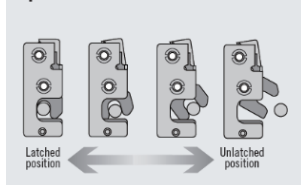


Striker Bolt Assembly - Integrated Bumper

(sold separately)



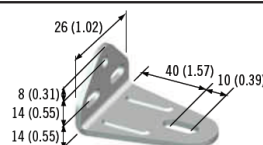
Operation



Striker 90° Mounting Bracket

Striker Bolt Part Number - Standard	
Part Number	Material
R4-90-121-10	Steel
R4-90-121-20	Stainless Steel
Striker Bolt Part Number - Integrated Bumper Version	
R4-90-124-10	Steel
R4-90-124-20	Stainless Steel

Striker Mounting Bracket Part Number
R4-0-50114



southco®

We are proud to be Southco's authorized distributor of over 20 years